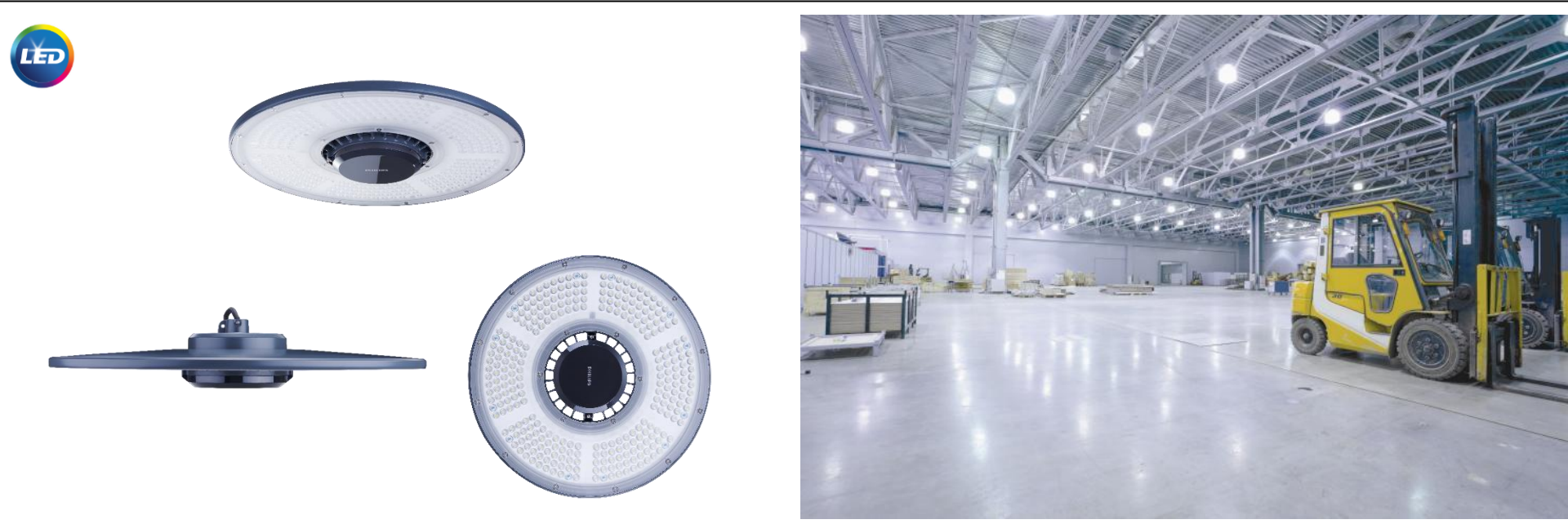



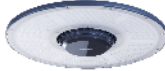


GreenPerform HighBay Elite *BY718P*

The elite highbay in luminaire



- System efficacy @ 145m/W; 10000/15000/20000/25000/30000lm - High energy saving – up to 71% comparing to HPI-P system
- Multi-sites lighting management – InterAct Industry provides additional saving and energy monitoring (coming in Q2'19)
- CRI >80; UGR 22 (NB) ~ UGR26 (WB) - Comfortable light with low UGR and accurate color
- Lifetime 75Khrs L70B50 @ta35°C; IP65, IK08; CCC/CB/EMC/CE/ASNZ approbations – Safe and Reliable
- Suitable for hook, pipe, bracket mounting; Slim design - Easy for installation and easy for maintenance

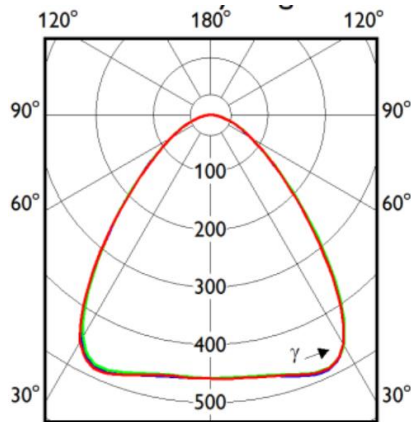
High energy saving

	 HPI P 400W	 BY718P LED200	 HPI P 250W	 BY718P LED100
Lamp wattage	400 W	135W	250 W	68 W
System wattage	440 W	135 W	275 W	68 W
Initial lumen output	32000 lm	20000 lm	18000 lm	10000 lm
Light Out Put Ratio (LOR) (Luminaire Optical design)	65%	100%	65%	100%
System Lumen Output	20800 lm	20000 lm	11700 lm	10000 lm
<i>Total Energy Saving (same lux level)</i>		65%		71%

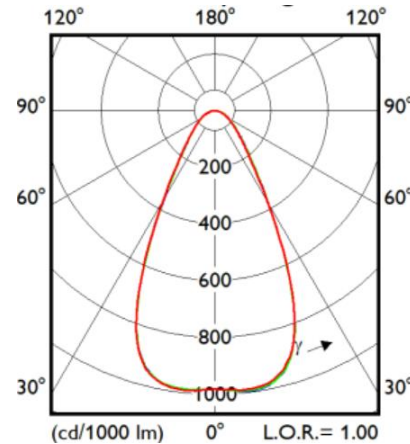
** For retrofit in existing plants, please validate the present lux level and decide the most optimum offering from GP HB Elite

Comfort light quality

- High color rendering (CRI >80) highlights the real color and restores the natural experience
- Integral Lens cover structure realizes the accurate distribution of light, dramatically improved UGR and beam angle
- High quality PC with matt texture inside improves visual look



- WB
- 2 * 43 degree
- Symmetric



- NB
- 2 * 27 degree
- Symmetric



Safe and Reliable performance

All Philips key components and production assure long lasting performance

Philips PLS
designed driver
@75khrs

Philips customized LED
CRI>80



High quality
Aluminum die-casting
heat sink

Integrated PC lens
cover assure IP65
and IK08



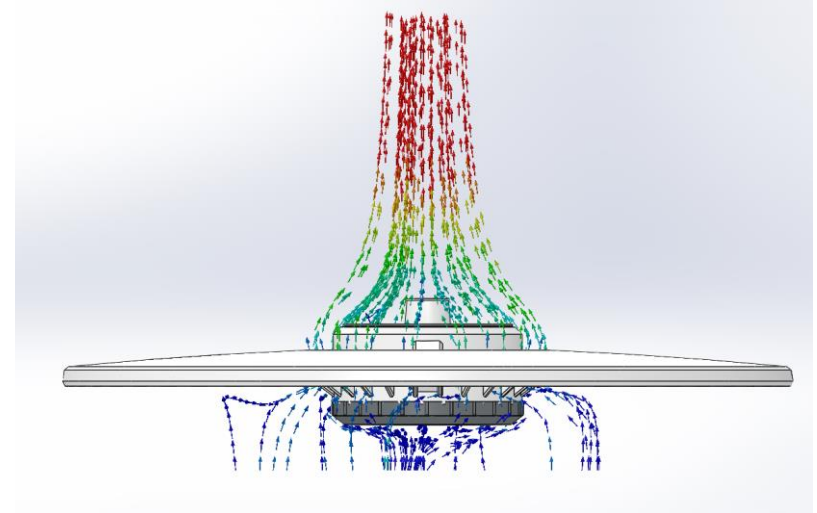
PHILIPS

Green Field

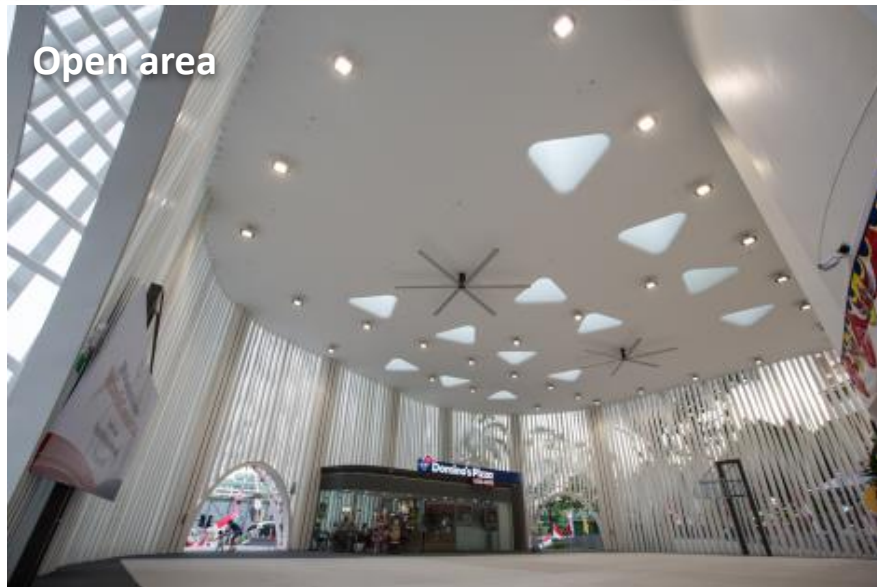
**Philips professional LED luminaire
assembly factory**

Professional thermal design

- Innovative thermal sink design, which is flat with slight inclination and thermal fins in the middle
- High efficient thermal discription creates an airflow through the product to prevent dirt from accumulating on the surface, suitable for installation at any angle
- Stable operation between $-30^{\circ}\text{C} \sim +50^{\circ}\text{C}$, ensuring the durable and reliable performance at $T_a 35^{\circ}\text{C}$



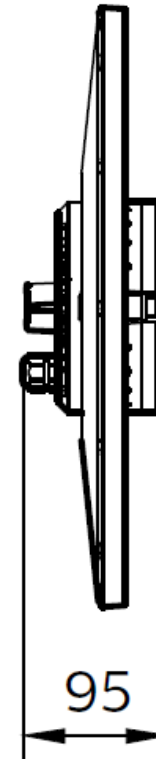
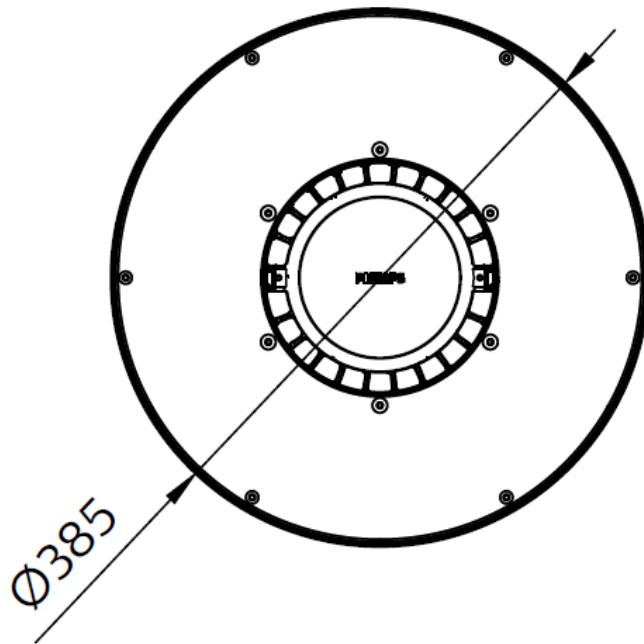
Key applications



Detail Specification

Types (BY718P)	LED100	LED150	LED200	LED250	LED300
Lumen Output (typ.)	10000lm	15000lm	20000lm	25000lm	30000lm
System Power (typ.)	68W	102W	135W	169W	203W
System efficacy	Typ. 145lm/W				
CCT (typ.)	CW (6500K)/ NW (4000K)				
CRI	> 80				
Color consistency	< 5 SDCM				
IP/IK rating	IP65/ IK08				
Classification	Class I				
Operation Temperature	-30°C to +50°C (Ta35°C)				
Lifetime (hrs)	75,000 hrs (Calculated L70B50) @35°C				
Optics	WB (86°) ; NB (54°)				
Input Voltage	220-240V, 50/60 Hz				
Power factor	0.95				
THD	<15%				
Mounting / Installation	Hook (included in the box); Pipe; Bracket				
Housing	Aluminum die-casting				
Dimensions (mm)	Φ385/H95	Φ420/H95	Φ450/H95	Φ510/H90	
Weight	3.3KGS	4.3KGS	4.7KGS	5.8KGS	
Certificate	CCC/CB/EMC/CE/SAA/LM79				

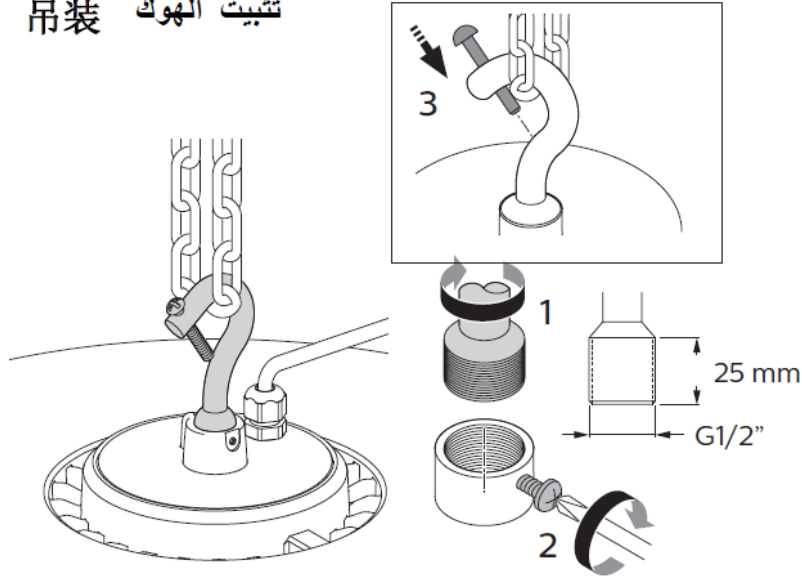
Product Dimension



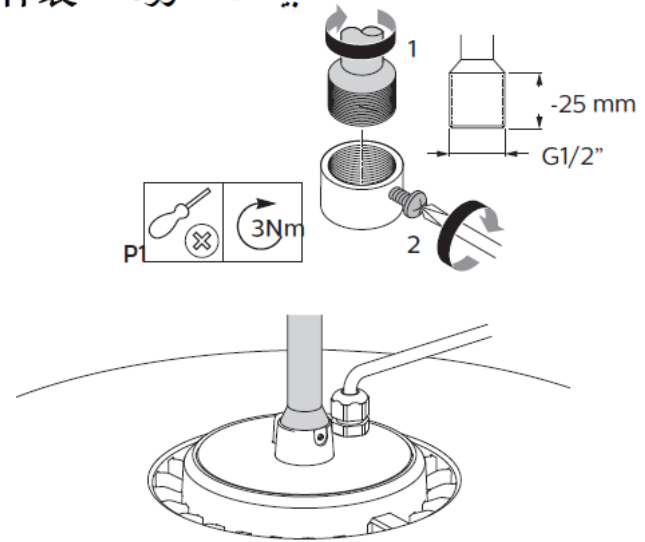
Type	Diameter	Height
BY718 LED100 PSU	385mm	95mm
BY718 LED150 PSU	420mm	95mm
BY718 LED200 PSU	450mm	95mm
BY718 LED250/300 PSU	510mm	90mm

Mounting Instruction

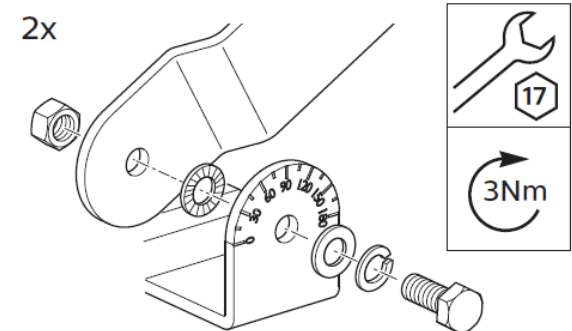
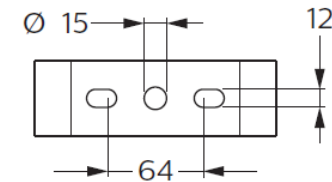
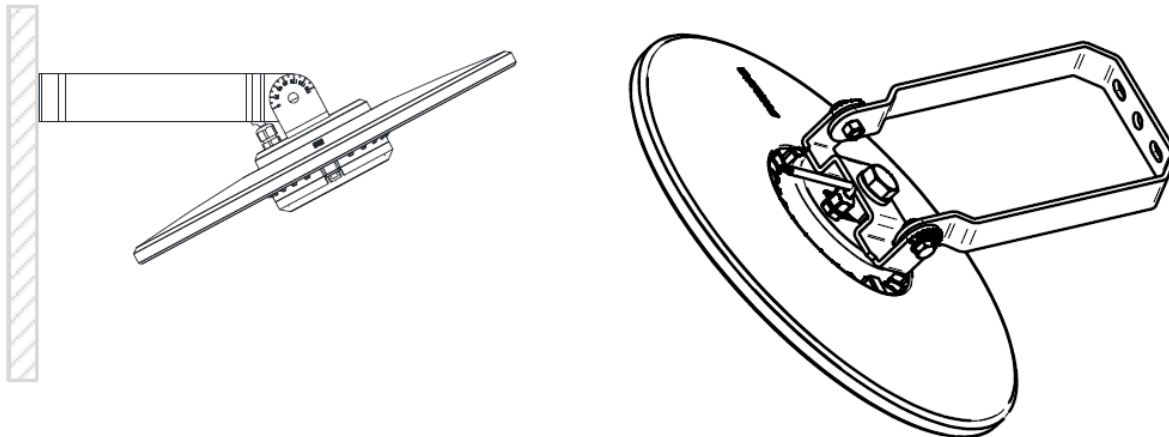
1 Hook Mounting Pemasangan dengan Kait 吊装 تثبيت الهوك



2 Pipe Mounting Pemasangan dengan Pipa 杆装 تثبيت الماسورة



3 Bracket Mounting Pemasangan menggunakan penyangga 支架安装 تثبيت القاعدة



Order Information

12NC	Description	Specification
911401568851	BY718P LED100/CW PSU NB	68W, 10000lm, 6500K, fixed output, narrow beam
911401568951	BY718P LED100/CW PSU WB	68W, 10000lm, 6500K, fixed output, wide beam
911401569051	BY718P LED100/NW PSU NB	68W, 10000lm, 4000K, fixed output, narrow beam
911401569151	BY718P LED100/NW PSU WB	68W, 10000lm, 4000K, fixed output, wide beam
911401576451	BY718P LED150/CW PSU NB	102W, 15000lm, 6500K, fixed output, narrow beam
911401576551	BY718P LED150/CW PSU WB	102W, 15000lm, 6500K, fixed output, wide beam
911401576651	BY718P LED150/NW PSU NB	102W, 15000lm, 4000K, fixed output, narrow beam
911401576751	BY718P LED150/NW PSU WB	102W, 15000lm, 4000K, fixed output, wide beam
911401569251	BY718P LED200/CW PSU NB	135W, 20000lm, 6500K, fixed output, narrow beam
911401569351	BY718P LED200/CW PSU WB	135W, 20000lm, 6500K, fixed output, wide beam
911401569451	BY718P LED200/NW PSU NB	135W, 20000lm, 4000K, fixed output, narrow beam
911401569551	BY718P LED200/NW PSU WB	135W, 20000lm, 4000K, fixed output, wide beam
911401576851	BY718P LED250/CW PSU NB	169W, 25000lm, 6500K, fixed output, narrow beam
911401576951	BY718P LED250/CW PSU WB	169W, 25000lm, 6500K, fixed output, wide beam
911401577051	BY718P LED250/NW PSU NB	169W, 25000lm, 4000K, fixed output, narrow beam
911401577151	BY718P LED250/NW PSU WB	169W, 25000lm, 4000K, fixed output, wide beam
911401577251	BY718P LED300/CW PSU NB	203W, 30000lm, 6500K, fixed output, narrow beam
911401577351	BY718P LED300/CW PSU WB	203W, 30000lm, 6500K, fixed output, wide beam
911401577451	BY718P LED300/NW PSU NB	203W, 30000lm, 4000K, fixed output, narrow beam
911401577551	BY718P LED300/NW PSU WB	203W, 30000lm, 4000K, fixed output, wide beam

All the above 12ncs are with APT LED

Order Information

12NC	Description	Specification
911401569651	BY718P LED100/NW PSU WB CAU	68W, 10000lm, 4000K, fixed output, wide beam, 3m flex+plug
911401578051	BY718P LED150/NW PSU WB CAU	102W, 15000lm, 4000K, fixed output, wide beam,3m flex+plug
911401569751	BY718P LED200/NW PSU WB CAU	135W, 20000lm, 4000K, fixed output, wide beam,3m flex+plug
911401578151	BY718P LED250/NW PSU WB CAU	169W, 25000lm, 4000K, fixed output, wide beam,3m flex+plug
911401578251	BY718P LED300/NW PSU WB CAU	203W, 30000lm, 4000K, fixed output, wide beam, 3m flex+plug

- All the above 12ncs are with APT LED
- _CAU: versions for Australia & New Zealand
- CW & NB could be customized via ETO

Order Information

12NC	Description	Specification
911401573451	BY718P LED100/NW PSU WB NCH	68W, 10000lm, 6500K, fixed output, wide beam
911401573551	BY718P LED100/CW PSU WB NCH	68W, 10000lm, 4000K, fixed output, wide beam
911401577651	BY718P LED150/CW PSU WB NCH	102W, 15000lm, 6500K, fixed output, wide beam
911401577751	BY718P LED150/NW PSU WB NCH	102W, 15000lm, 4000K, fixed output, wide beam
911401573651	BY718P LED200/NW PSU WB NCH	135W, 20000lm, 6500K, fixed output, wide beam
911401573751	BY718P LED200/CW PSU WB NCH	135W, 20000lm, 4000K, fixed output, wide beam
911401577851	BY718P LED250/CW PSU WB NCH	169W, 25000lm, 6500K, fixed output, wide beam
911401577951	BY718P LED250/NW PSU WB NCH	169W, 25000lm, 4000K, fixed output, wide beam
911401573451	BY718P LED100/NW PSU WB NCH	203W, 30000lm, 6500K, fixed output, wide beam
911401573551	BY718P LED100/CW PSU WB NCH	203W, 30000lm, 4000K, fixed output, wide beam

- All the above 12ncs are with Nichia LED
- NB could be customized via ETO

Signify