



MASTER LEDlusters - Eye-catching design for chandeliers and other decorative fixtures

MASTER LEDluster

Delivering incandescent-like sparkling light effects, MASTER LEDluster bulbs are ideal for general and decorative lighting in the hospitality industry, as well as in home environments. The dimmable MASTER LEDlusters drive further efficiencies, while helping to create the desired atmosphere. Mounted in full view in chandeliers, wall scones or modern luminaires, the clear glass bulb fits all existing fixtures with an E14, E27 and B22 socket. Drawing upon inputs from chandelier makers and designed to enhance the aesthetic appeal of the chandelier or luminaire, not only when lit but also when not, these lamps come in a classical slender shape with a unique, eye-catching lens design. They produce a beautiful sparkling warm light that delivers huge energy savings and minimizes maintenance cost.

Benefits

- Sparkling warm white light
- Up to 80% energy saving
- Lower maintenance costs

Features

- Retrofittable with existing E14, E27 and B22 holders
- Lifetime of 20,000 hours
- Available in clear versions
- Free of mercury and hazardous materials

PHILIPS

Application

- Hotels, restaurants, bars, cafés

- Chandelier, wall sconce or modern luminaire

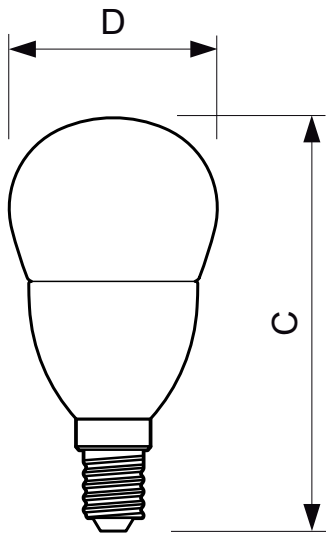
Related products



B22 P48 CL



Dimensional drawing

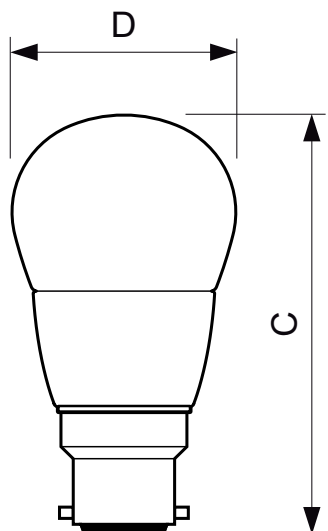


E14 P48

LED DT 6-40W E14 P48 CL

Product	D	C
MAS LEDluster DT 6-40W E14 P48 CL	48 mm	95 mm

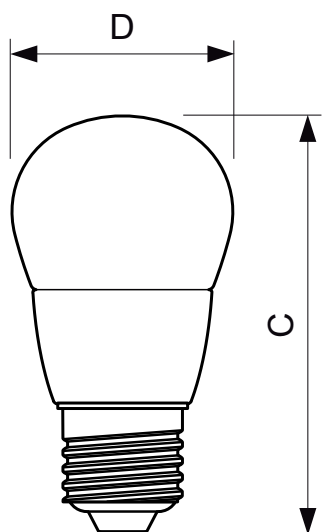
Dimensional drawing



B22 P48

LED DT 6-40W B22 P48 CL

Product	D	C
MAS LEDluster DT 6-40W B22 P48 CL	48 mm	92 mm

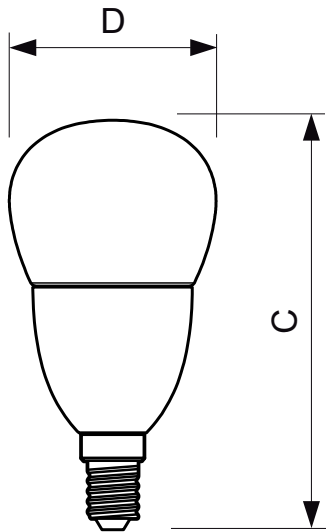


E27 P45, P48

LED DT 4-25W E27 P48 CL

Product	D	C
MAS LEDluster DT 4-25W E27 P48 CL	48 mm	93 mm

Dimensional drawing



Candle WG EMEA 60W E14 P50

Product	D	O
MAS LEDluster DT 8-60W P50 E14 827 CL	50 mm	111 mm

General Information

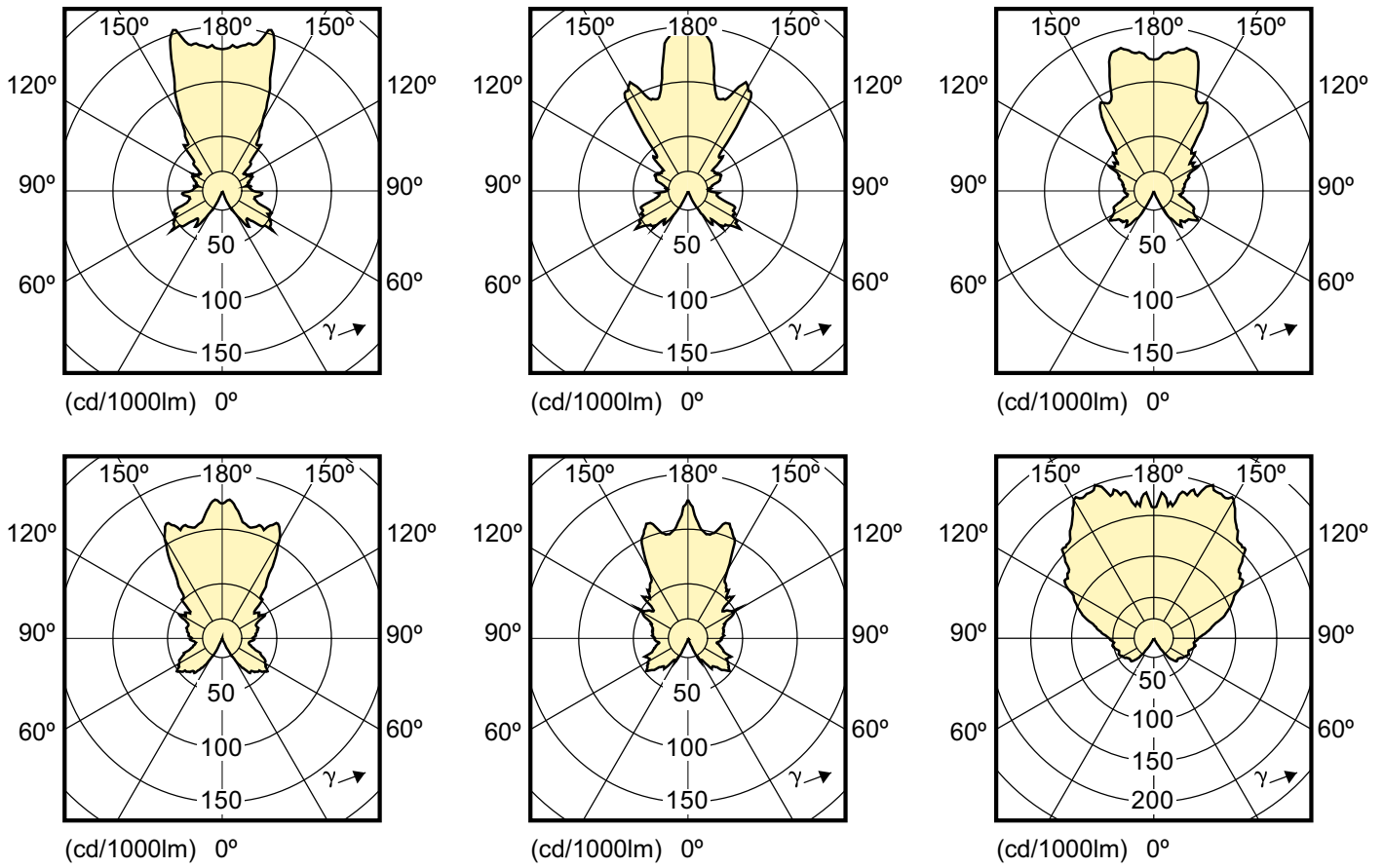
order code	Bulb Shape	Cap-Base	Nominal Life-time (Nom)	Switching Cycle
929001140002	P48	E14	25000	50000X
929001140602	P48	E14	25000	50000X
929001140102	P48	E27	25000	50000X
929001140702	P48	E27	25000	50000X

order code	Bulb Shape	Cap-Base	Nominal Life-time (Nom)	Switching Cycle
929001157302	P48	B22	25000	50000X
929001211902	-	E14	25000	50000X

Light Technical

order code	Color Code	Correlated Color Temperature (Nom)	Color Rendering Index (Nom)	LI _{mf} At End Of Nominal Lifetime (Nom)	Luminous Flux (Nom)	Luminous Flux (Rated) (Nom)
929001140002	WW	2200-2700	80	70	250	250
929001140602	WW	2200-2700	80	70	470	470
929001140102	WW	2200-2700	80	70	250	250
929001140702	WW	2200-2700	80	70	470	470
929001157302	WW	2200-2700	80	70	470	470
929001211902	822-827	2200-2700	80	70	806	806

Light technical



Operating and Electrical

order code	Input Frequency	Voltage (Nom)	Wattage Equivalent	Power (Rated) (Nom)	Starting Time (Max)	Starting Time (Nom)
929001140002	50 to 60	220-240	25	4.0	0.5	-
929001140602	50 to 60	220-240	40	6.0	0.5	-
929001140102	50 to 60	220-240	25	4.0	0.5	-
929001140702	50 to 60	220-240	40	6.0	0.5	-
929001157302	50 to 60	220-240	40	6.0	0.5	-
929001211902	50 to 60	220-240	60	8	-	0.5

Mechanical and Housing

order code	Bulb Finish
929001140002	Clear
929001140602	Clear
929001140102	Clear
929001140702	Clear
929001157302	Clear
929001211902	Clear

Temperature

order code	T-Case Maximum (Nom)
929001140002	85
929001140602	95
929001140102	85
929001140702	95
929001157302	95
929001211902	95

Approval and Application

order code	Energy Consumption kWh/1000 h	Energy Efficiency Label (EEL)
929001140002	4	A+
929001140602	6	A+
929001140102	4	A+
929001140702	6	A+

order code	Energy Consumption kWh/1000 h	Energy Efficiency Label (EEL)
929001157302	6	A+
929001211902	8	A+



© 2016 Philips Lighting Holding B.V.
All rights reserved.

Specifications are subject to change without notice. Trademarks are the property of Koninklijke Philips N.V. (Royal Philips) or their respective owners.

www.philips.com/lighting

2016, August 30
data subject to change