

Tango G2 LED – BVP281



Tango G2 LED is a general purpose LED flood lighting luminaire for various lighting applications, such as area lighting, bill-board, façade, industry area, recreational sports and other general applications. The Tango G2 LED flood light incorporates LED light source, optical system, heat sink and driver into one compact housing. Its specially designed heat sink incorporates aesthetics and functionality to ensure reliability and long lifetime. Tango G2 LED takes advantage of LED technology which provides energy savings and a longer lifetime, bringing area lighting into a new era.

Features & Benefits

- **Energy saving:** system efficacy reaches 110lm/w, which gives more than 50% of energy saving when compared to conventional floodlight
- **Free from lamp replacement:** Lifetime reaches 50,000 hours at L70, which requires no lamp replacement after installation
- **Low maintenance cost:** IP65 housing ensures low maintenance with no need for internal cleaning, resulting in a lower total cost of ownership
- **Flexibility on lighting application:** Optical beam choice of symmetric and asymmetric fulfils majority needs of lighting application
- **Good reliability:** Painted non-corrosive die-cast aluminum housing and steel bracket gives extra strength when the luminaire is installed in a rough environment
- **Easy installation and maintenance:** Universal “U” shape mounting bracket.



PHILIPS

Tango G2 LED

Specifications

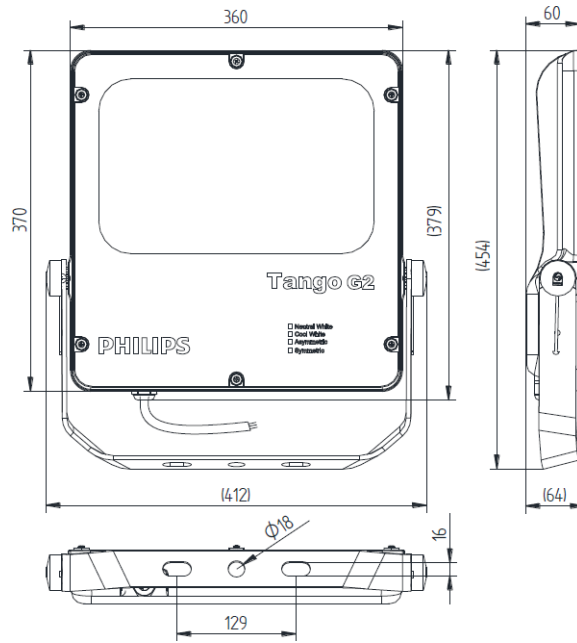
| | Tango G2 LED |
|------------------------------|--|
| Type | BVP281 |
| Light source | Mid Power LED |
| Power requirement | 220-240V 50/60Hz |
| Power factor | 0.95(Full Load) |
| Power Consumption | 40W; 80W; 120W |
| LED driver & driving current | Constant current at 700mA |
| System lumen output | 4,400; 8,800; 13,200 lumen |
| CRI | Min. 80 |
| Color temperature | 6500K ± 500K / 4000K ± 500K / 3000K ± 500K |
| Optics | AMB–Asymmetric, SWB–Symmetric, SMB-Symmetric |
| Materials and finishing | Housing: Die-cast aluminum (ADC1) Gasket: Heat resistant silicone rubber Glass: Tempered glass Housing Colour: Grey Aluminium RAL9007 |
| Lifetime | 50,000 hours (70% lumen maintenance @ Ta = 35°C) |
| Installation | Universal Bracket |
| Dimensions (LxBxH) | 370 x 360 x 60mm |
| Weight | 6.0 – 6.5 kg |
| Classifications | IP65; IK07; Class I; RoHS |
| Operating Temperature | -40°C to 50°C (Outdoor) |
| Surge protection | 10KV |
| Controls | Optional - DALI & 1-10V Dimming (ETO) |
| Certifications | CB, CE, ANZ60598 (SAA), PSE, RoHS |

Product Configuration

| Product Model | Driver Description |
|----------------------|--------------------------------|
| BVP281 40W | Xitanium 75W 0.70A 230V-Y cXt |
| BVP281 80W | Xitanium 75W 0.70A 230V-Y cXt |
| BVP281 120W | Xitanium 150W 0.70A 230V-F cXt |

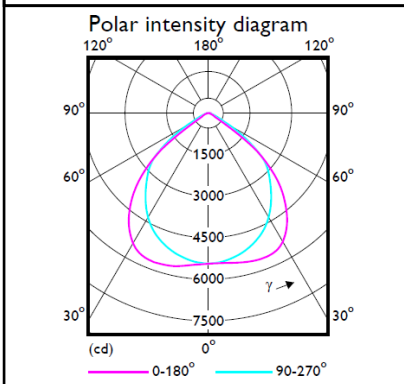
Tango G2 LED

Dimensions (units: mm)

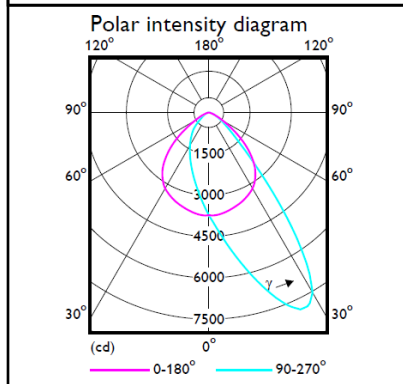


Photometry

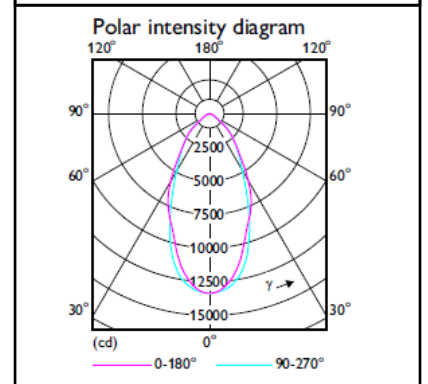
BVP281 LED132/NW 120W 220-240V SWB
1 x 13200 lm
L.O.R : 1.00



BVP281 LED132/NW 120W 220-240V AMB
1 x 13200 lm
L.O.R : 1.00



BVP281 LED132/NW 120W 220-240V SMB
1 x 13200 lm
L.O.R : 1.00



Tango G2 LED

Ordering information

| 12NC | Description |
|--------------|------------------------------------|
| 911401635202 | BVP281 LED44/NW 40W 220-240V SWB |
| 911401634102 | BVP281 LED88/NW 80W 220-240V SWB |
| 911401634202 | BVP281 LED132/NW 120W 220-240V SWB |
| 911401634302 | BVP281 LED44/NW 40W 220-240V AMB |
| 911401634402 | BVP281 LED88/NW 80W 220-240V AMB |
| 911401634502 | BVP281 LED132/NW 120W 220-240V AMB |
| 911401634602 | BVP281 LED44/CW 40W 220-240V SWB |
| 911401634702 | BVP281 LED88/CW 80W 220-240V SWB |
| 911401634802 | BVP281 LED132/CW 120W 220-240V SWB |
| 911401634902 | BVP281 LED44/CW 40W 220-240V AMB |
| 911401635002 | BVP281 LED88/CW 80W 220-240V AMB |
| 911401635102 | BVP281 LED132/CW 120W 220-240V AMB |
| 911401606903 | BVP281 LED44/NW 40W 220-240V SMB |
| 911401607003 | BVP281 LED88/NW 80W 220-240V SMB |
| 911401606703 | BVP281 LED132/NW 120W 220-240V SMB |
| 911401607103 | BVP281 LED44/CW 40W 220-240V SMB |
| 911401607203 | BVP281 LED88/CW 80W 220-240V SMB |
| 911401607303 | BVP281 LED132/CW 120W 220-240V SMB |
| 911401607503 | BVP281 LED41/WW 40W 220-240V SMB |
| 911401606803 | BVP281 LED82/WW 80W 220-240V SMB |
| 911401606503 | BVP281 LED122/WW 120W 220-240V SMB |
| 911401606603 | BVP281 LED41/WW 40W 220-240V AMB |
| 911401607403 | BVP281 LED82/WW 80W 220-240V AMB |
| 911401607603 | BVP281 LED122/WW 120W 220-240V AMB |

- More options available on request



© 2015 Koninklijke Philips N.V.
All rights reserved.

Specifications are subject to change without notice. Trademarks are the property of Koninklijke Philips N.V. or their respective owners.

www.philips.com/lighting

October 2015
Data subject to change