



Elegance meets efficiency

MASTER LEDbulbs

The MASTER LEDbulb range delivers a dimmable glow effect for a welcoming, warm atmosphere, making it ideal for general lighting applications in the hospitality industry. Its unique design radiates warm light in all directions, making it a true alternative to incandescent lamps. They are particularly suitable for public areas such as lobbies, corridors, stairwells, where the light is always on. Compatible with existing fixtures with an E27 holder and designed for retrofit replacement of incandescent bulbs, MASTER LEDbulb delivers huge energy savings and minimizes maintenance cost without any compromise on light quality. They can be used together with most leading-edge dimmers, enabling further efficiencies while helping to create the desired atmosphere.

Benefits

- Easy (retrofit) replacement ideal for general lighting applications
- Unique design and light effect that mimics the light quality of incandescent lamps
- Up to 80% energy saving compared with traditional incandescent lamps

Features

- The gradual dimming feature enables light levels to dim to warm tones of traditional lamps
- Dimmable range that is compatible with an extensive range of dimmers
- Lifetime of 25,000 hours
- High CRI (CRI 90)
- UV- and IR-free light

Application

- Hotels, restaurants, bars, cafés
- Lobbies, corridors, stairwells, reception areas

MASTER LEDbulbs

Versions



B22 A60 CL



B22 A60 Clear



E27 A60 CL



E27 A60 Clear



E27 A67



B22 A67



E26 A19 Frosted



E27 A60 FR

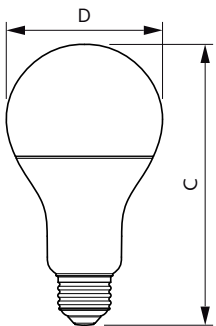


E27 A60 FR



LEDBulb E27 A67 Frosted

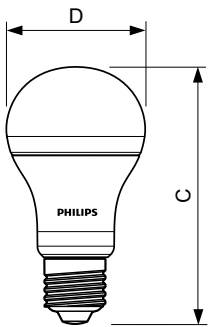
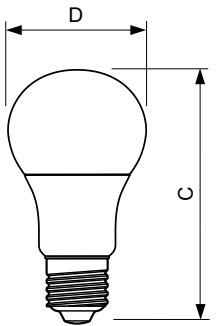
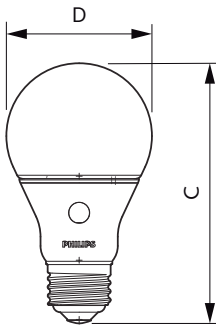
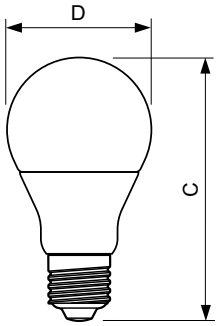
Dimensional drawing



Product	D	C
MASLEDbulb DT 14-100WE27 927-922 A67FR	77 mm	142 mm

MASTER LEDbulbs

Dimensional drawing



Product	D	C
MASLEDbulb DT 15-100WE27 927-922 A67FR	77 mm	142 mm
MAS LED bulb DT 12-75WE27 927-922 A67 FR	77 mm	142 mm

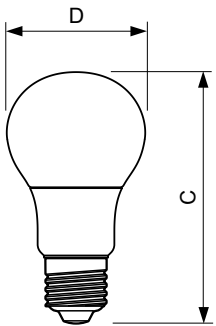
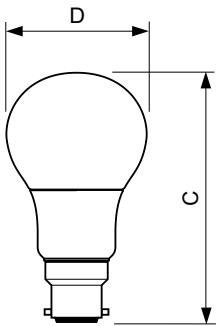
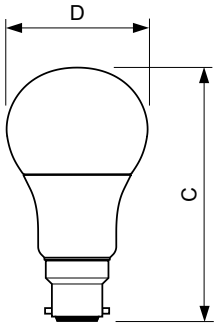
Product	D	C
8A19/LED/827/ND D2D 120V 6/1	61.4 mm	109.8 mm

Product	D	C
MAS LED bulb DT 5.5-40WE27 927-922 A60FR	60 mm	110 mm
MAS LEDbulb DT 8.5-60W E27 A60 CL	60 mm	110 mm
MAS LEDbulb DT 15-100W A67 E27 827 FR	70.6 mm	137.2 mm
MAS LEDbulb DT 11-75W A67 E27 827 FR	70.6 mm	137.2 mm

Product	D	C
MAS LED bulb DT 9-60W E27 927-922 A60 FR	60 mm	110 mm

MASTER LEDbulbs

Dimensional drawing



Product	D	C
MAS LEDbulb DT 8.5-60W B22 A60 CL	60 mm	110 mm
MAS LEDbulb DT 11-75W A67 B22 827 FR	70.6 mm	135.9 mm
MAS LEDbulb DT 15-100W A67 B22 827 FR	70.6 mm	135.9 mm

Product	D	C
MAS LEDbulb DT 6-40W B22 A60 CL	60 mm	110 mm

Product	D	C
MAS LEDbulb DT 6-40W E27 A60 CL	60 mm	110 mm

General Information

Nominal Lifetime (Nom)	25000 h
Rated Lifetime (Hours)	25000 h

Light Technical

Llmf At End Of Nominal Lifetime (Nom)	70 %
---------------------------------------	------

Approval and Application

Order Code	Full Product Name	Energy Consumption kWh/1000 h	Energy Efficiency Label (EEL)
929001150602	MAS LEDbulb DT 6-40W B22 A60 CL	6 kWh	A+

Order Code	Full Product Name	Energy Consumption kWh/1000 h	Energy Efficiency Label (EEL)
929001150732	MAS LEDbulb DT 8.5-60W B22 A60 CL	9 kWh	A+

MASTER LEDbulbs

Order Code	Full Product Name	Energy Consumption kWh/1000 h	Energy Efficiency Label (EEL)
929001150802	MAS LEDbulb DT 6-40W E27 A60 CL	6 kWh	A+
929001150932	MAS LEDbulb DT 8.5-60W E27 A60 CL	9 kWh	A+
929001184402	MAS LEDbulb DT 15-100W A67 E27 827 FR	15 kWh	A+
929001200502	MAS LEDbulb DT 11-75W A67 E27 827 FR	11 kWh	A+
929001200302	MAS LEDbulb DT 15-100W A67 B22 827 FR	15 kWh	A+
929001200402	MAS LEDbulb DT 11-75W A67 B22 827 FR	11 kWh	A+

Order Code	Full Product Name	Energy Consumption kWh/1000 h	Energy Efficiency Label (EEL)
929001261504	8A19/LED/827/ND D2D 120V 6/1	-	-
929001351302	MAS LED bulb DT 5.5-40WE27 927-922 A60FR	6 kWh	A+
929001351402	MAS LED bulb DT 9-60W E27 927-922 A60 FR	9 kWh	A+
929001868602	MAS LED bulb DT 12-75WE27 927-922 A67 FR	12 kWh	A+
929001868702	MASLEDbulb DT 15-100WE27 927-922 A67FR	15 kWh	A+
929002218602	MASLEDbulb DT 14-100WE27 927-922 A67FR	12 kWh	A+

Controls and Dimming

Order Code	Full Product Name	Dimmable
929001150602	MAS LEDbulb DT 6-40W B22 A60 CL	Yes
929001150732	MAS LEDbulb DT 8.5-60W B22 A60 CL	Yes
929001150802	MAS LEDbulb DT 6-40W E27 A60 CL	Yes
929001150932	MAS LEDbulb DT 8.5-60W E27 A60 CL	Yes
929001184402	MAS LEDbulb DT 15-100W A67 E27 827 FR	Yes
929001200502	MAS LEDbulb DT 11-75W A67 E27 827 FR	Yes
929001200302	MAS LEDbulb DT 15-100W A67 B22 827 FR	Yes

Order Code	Full Product Name	Dimmable
929001200402	MAS LEDbulb DT 11-75W A67 B22 827 FR	Yes
929001261504	8A19/LED/827/ND D2D 120V 6/1	No
929001351302	MAS LED bulb DT 5.5-40WE27 927-922 A60FR	Yes
929001351402	MAS LED bulb DT 9-60W E27 927-922 A60 FR	Yes
929001868602	MAS LED bulb DT 12-75WE27 927-922 A67 FR	Yes
929001868702	MASLEDbulb DT 15-100WE27 927-922 A67FR	Yes
929002218602	MASLEDbulb DT 14-100WE27 927-922 A67FR	Yes

Operating and Electrical

Order Code	Full Product Name	Input Frequency	Voltage (Nom)	Wattage Equivalent	Power (Rated) (Nom)	Starting Time (Nom)
929001150602	MAS LEDbulb DT 6-40W B22 A60 CL	50 to 60 Hz	220-240 V	40 W	6 W	0.5 s
929001150732	MAS LEDbulb DT 8.5-60W B22 A60 CL	50 to 60 Hz	220-240 V	60 W	8.5 W	0.5 s
929001150802	MAS LEDbulb DT 6-40W E27 A60 CL	50 to 60 Hz	220-240 V	40 W	6 W	0.5 s
929001150932	MAS LEDbulb DT 8.5-60W E27 A60 CL	50 to 60 Hz	220-240 V	60 W	8.5 W	0.5 s
929001184402	MAS LEDbulb DT 15-100W A67 E27 827 FR	50 to 60 Hz	220-240 V	100 W	15 W	0.5 s
929001200502	MAS LEDbulb DT 11-75W A67 E27 827 FR	50 to 60 Hz	220-240 V	75 W	11 W	0.5 s
929001200302	MAS LEDbulb DT 15-100W A67 B22 827 FR	50 to 60 Hz	220-240 V	100 W	15 W	0.5 s
929001200402	MAS LEDbulb DT 11-75W A67 B22 827 FR	50 to 60 Hz	220-240 V	75 W	11 W	0.5 s
929001261504	8A19/LED/827/ND D2D 120V 6/1	60 Hz	120 V	60 W	8 W	0.5 s
929001351302	MAS LED bulb DT 5.5-40WE27 927-922 A60FR	50 to 60 Hz	220-240 V	40 W	5.5 W	0.3 s
929001351402	MAS LED bulb DT 9-60W E27 927-922 A60 FR	50 to 60 Hz	220-240 V	60 W	9 W	0.3 s
929001868602	MAS LED bulb DT 12-75WE27 927-922 A67 FR	50 to 60 Hz	220-240 V	75 W	12 W	0.1 s
929001868702	MASLEDbulb DT 15-100WE27 927-922 A67FR	-	220-240 V	100 W	15 W	0.1 s
929002218602	MASLEDbulb DT 14-100WE27 927-922 A67FR	50 to 60 Hz	220-240 V	75 W	12 W	0.1 s

General Information

Order Code	Full Product Name	Cap-Base	Switching Cycle
929001150602	MAS LEDbulb DT 6-40W B22 A60 CL	B22	50000X
929001150732	MAS LEDbulb DT 8.5-60W B22 A60 CL	B22	50000X
929001150802	MAS LEDbulb DT 6-40W E27 A60 CL	E27	50000X

Order Code	Full Product Name	Cap-Base	Switching Cycle
929001150932	MAS LEDbulb DT 8.5-60W E27 A60 CL	E27	50000X
929001184402	MAS LEDbulb DT 15-100W A67 E27 827 FR	E27	50000X
929001200502	MAS LEDbulb DT 11-75W A67 E27 827 FR	E27	50000X

MASTER LEDbulbs

Order Code	Full Product Name	Cap-Base	Switching Cycle
929001200302	MAS LEDbulb DT 15-100W A67 B22 827 FR	B22	50000X
929001200402	MAS LEDbulb DT 11-75W A67 B22 827 FR	B22	50000X
929001261504	8A19/LED/827/ND D2D 120V 6/1	E26	50000X
929001351302	MAS LED bulb DT 5.5-40WE27 927-922 A60FR	E27	100000X
929001351402	MAS LED bulb DT 9-60W E27 927-922 A60 FR	E27	100000X

Order Code	Full Product Name	Cap-Base	Switching Cycle
929001868602	MAS LED bulb DT 12-75WE27 927-922 A67 FR	E27	100000X
929001868702	MASLEDbulb DT 15-100WE27 927-922 A67FR	E27	100000X
929002218602	MASLEDbulb DT 14-100WE27 927-922 A67FR	E27	100000X

Light Technical

Order Code	Full Product Name	Beam Angle (Nom)	Color Code	Correlated Color Temperature (Nom)	Color Rendering Index (Nom)	Luminous Flux (Nom)	Luminous Flux (Rated) (Nom)
929001150602	MAS LEDbulb DT 6-40W B22 A60 CL	-	822-827	2200-2700 K	80	470 lm	470 lm
929001150732	MAS LEDbulb DT 8.5-60W B22 A60 CL	-	822-827	2200-2700 K	80	806 lm	806 lm
929001150802	MAS LEDbulb DT 6-40W E27 A60 CL	-	822-827	2200-2700 K	80	470 lm	470 lm
929001150932	MAS LEDbulb DT 8.5-60W E27 A60 CL	-	822-827	2200-2700 K	80	806 lm	806 lm
929001184402	MAS LEDbulb DT 15-100W A67 E27 827 FR	-	822-827	2200-2700 K	80	1521 lm	1521 lm
929001200502	MAS LEDbulb DT 11-75W A67 E27 827 FR	-	822-827	2200-2700 K	80	1055 lm	1055 lm
929001200302	MAS LEDbulb DT 15-100W A67 B22 827 FR	-	822-827	2200-2700 K	80	1521 lm	1521 lm
929001200402	MAS LEDbulb DT 11-75W A67 B22 827 FR	-	822-827	2200-2700 K	80	1055 lm	1055 lm
929001261504	8A19/LED/827/ND D2D 120V 6/1	220 °	827	2700 K	80	800 lm	800 lm
929001351302	MAS LED bulb DT 5.5-40WE27 927-922 A60FR	200 °	922-927	2200-2700 K	90	470 lm	470 lm
929001351402	MAS LED bulb DT 9-60W E27 927-922 A60 FR	200 °	922-927	2200-2700 K	90	806 lm	806 lm
929001868602	MAS LED bulb DT 12-75WE27 927-922 A67 FR	200 °	922-927	2200-2700 K	90	1055 lm	1055 lm
929001868702	MASLEDbulb DT 15-100WE27 927-922 A67FR	200 °	922-927	2200-2700 K	90	1521 lm	1521 lm
929002218602	MASLEDbulb DT 14-100WE27 927-922 A67FR	200 °	922-927	2200-2700 K	90	1055 lm	1055 lm

Mechanical and Housing

Order Code	Full Product Name	Bulb Finish	Bulb Shape
929001150602	MAS LEDbulb DT 6-40W B22 A60 CL	Clear	A60
929001150732	MAS LEDbulb DT 8.5-60W B22 A60 CL	Clear	A60
929001150802	MAS LEDbulb DT 6-40W E27 A60 CL	Clear	A60
929001150932	MAS LEDbulb DT 8.5-60W E27 A60 CL	Clear	A60
929001184402	MAS LEDbulb DT 15-100W A67 E27 827 FR	-	A67
929001200502	MAS LEDbulb DT 11-75W A67 E27 827 FR	-	A67
929001200302	MAS LEDbulb DT 15-100W A67 B22 827 FR	-	A67
929001200402	MAS LEDbulb DT 11-75W A67 B22 827 FR	-	A67
929001261504	8A19/LED/827/ND D2D 120V 6/1	Frosted	A19 (A19)
929001351302	MAS LED bulb DT 5.5-40WE27 927-922 A60FR	Frosted	A60

Order Code	Full Product Name	Bulb Finish	Bulb Shape
929001351402	MAS LED bulb DT 9-60W E27 927-922 A60 FR	Frosted	A60
929001868602	MAS LED bulb DT 12-75WE27 927-922 A67 FR	Frosted	A67
929001868702	MASLEDbulb DT 15-100WE27 927-922 A67FR	Frosted	A67
929002218602	MASLEDbulb DT 14-100WE27 927-922 A67FR	Frosted	A67

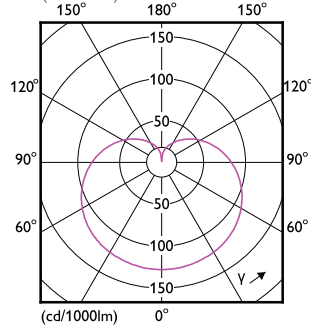
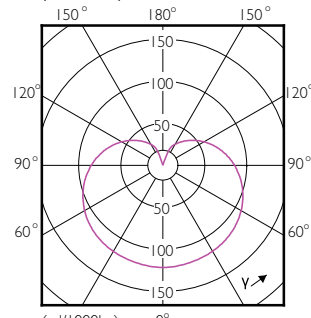
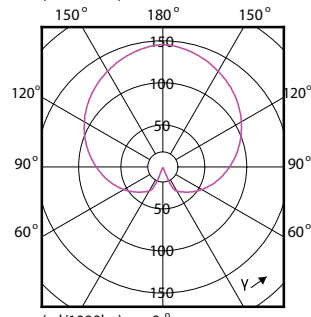
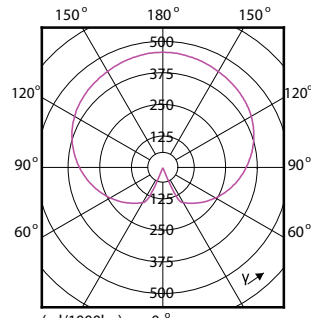
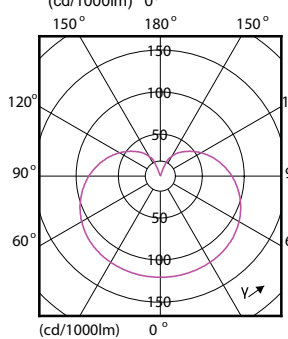
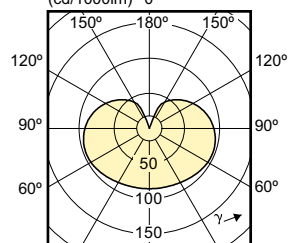
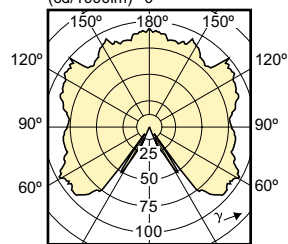
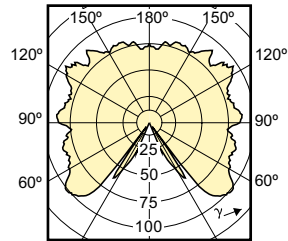
Temperature

Order Code	Full Product Name	T-Case Maximum (Nom)
929001150602	MAS LEDbulb DT 6-40W B22 A60 CL	85 °C
929001150732	MAS LEDbulb DT 8.5-60W B22 A60 CL	110 °C
929001150802	MAS LEDbulb DT 6-40W E27 A60 CL	85 °C
929001150932	MAS LEDbulb DT 8.5-60W E27 A60 CL	110 °C

Order Code	Full Product Name	T-Case Maximum (Nom)
929001184402	MAS LEDbulb DT 15-100W A67 E27 827 FR	105 °C
929001200502	MAS LEDbulb DT 11-75W A67 E27 827 FR	100 °C
929001200302	MAS LEDbulb DT 15-100W A67 B22 827 FR	105 °C
929001200402	MAS LEDbulb DT 11-75W A67 B22 827 FR	100 °C

MASTER LEDbulbs

Order Code	Full Product Name	T-Case Maximum (Nom)
929001261504	8A19/LED/827/ND D2D 120V 6/1	70 °C
929001351302	MAS LED bulb DT 5.5-40WE27 927-922 A60FR	70 °C
929001351402	MAS LED bulb DT 9-60W E27 927-922 A60 FR	85 °C
929001868602	MAS LED bulb DT 12-75WE27 927-922 A67 FR	80 °C
929001868702	MASLEDbulb DT 15-100WE27 927-922 A67FR	80 °C
929002218602	MASLEDbulb DT 14-100WE27 927-922 A67FR	80 °C



MASTER LEDbulbs

